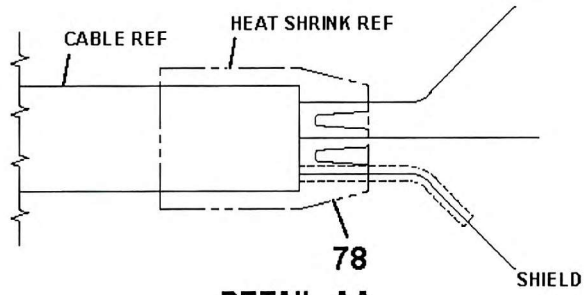
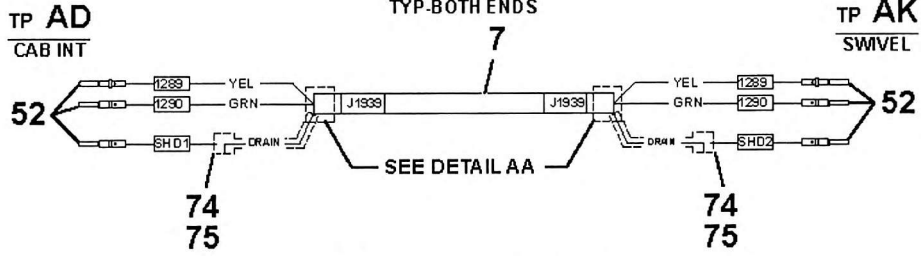


# Manitowoc Cranes

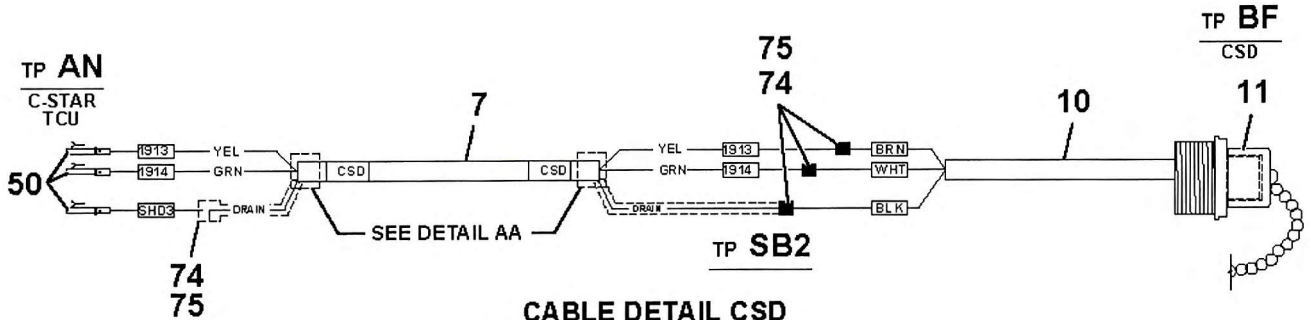


## DETAIL AA

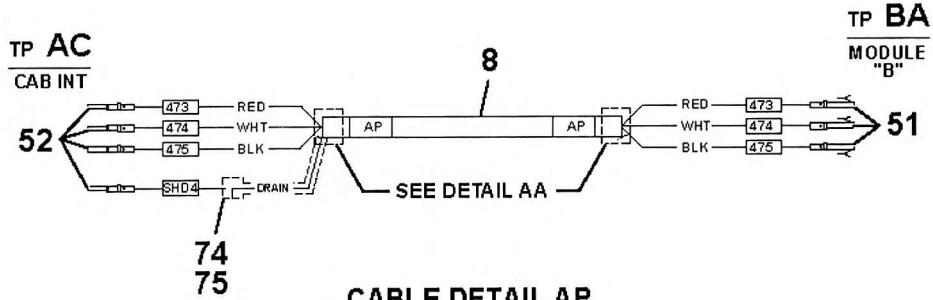
CABLE ENDS  
TYP.-BOTH ENDS



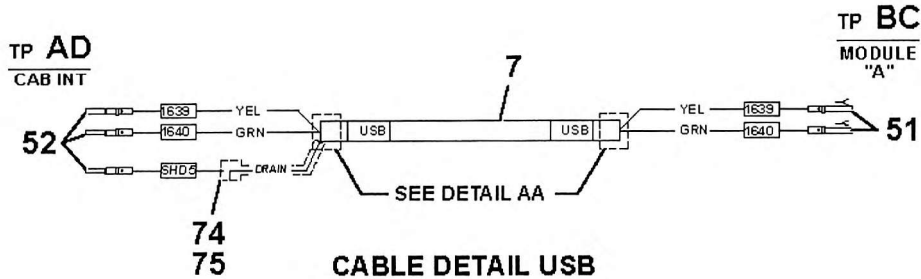
## CABLE DETAIL J1939



## CABLE DETAIL CSD



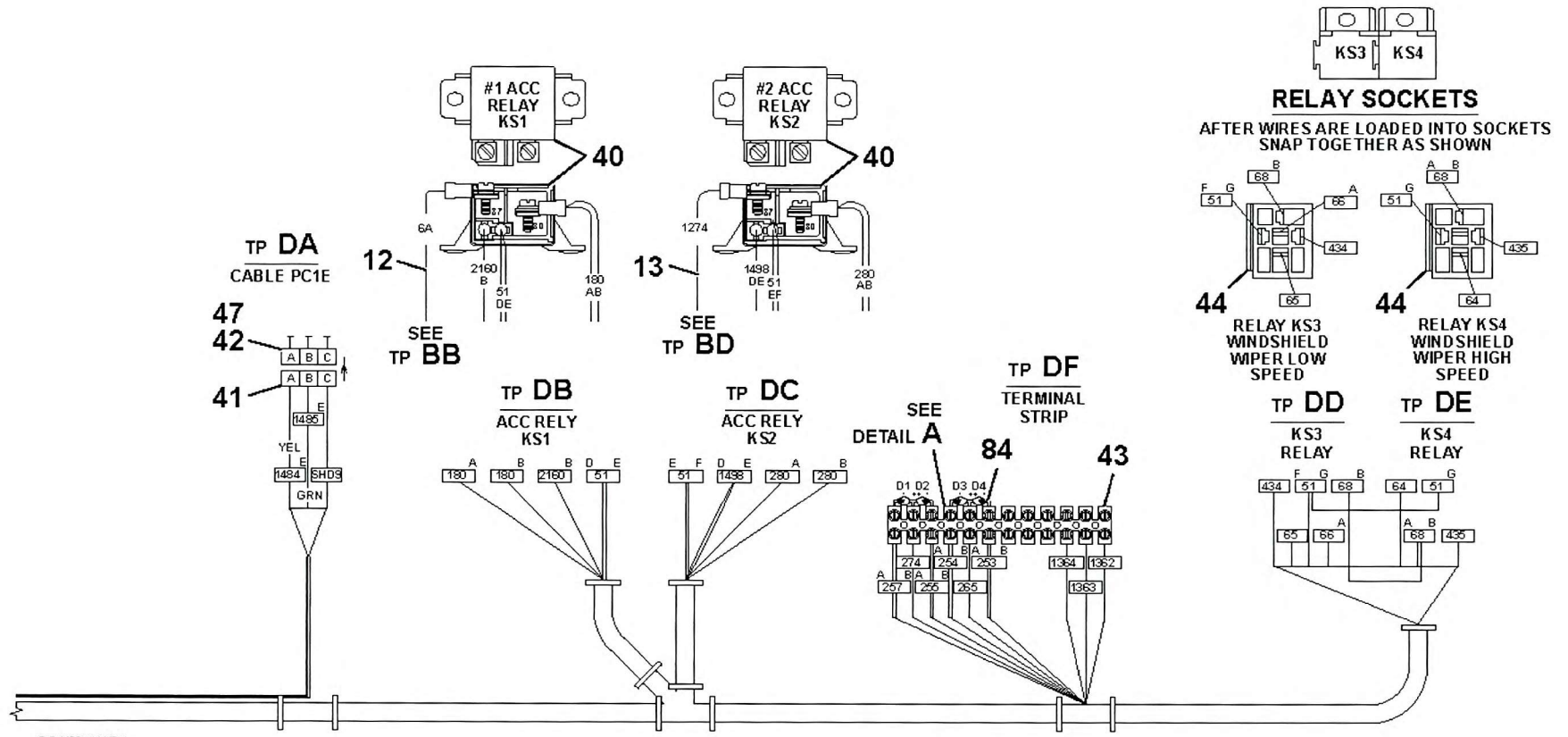
## CABLE DETAIL AP



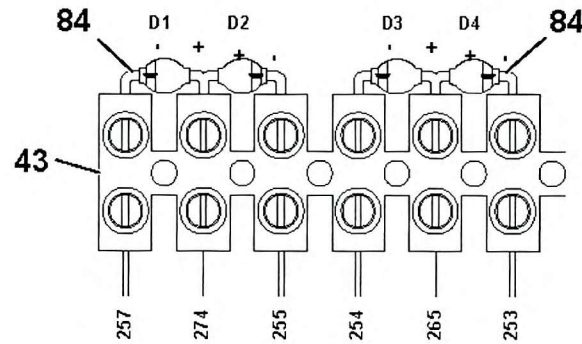
## CABLE DETAIL USB

80024300

(SHEET 6 OF 12)

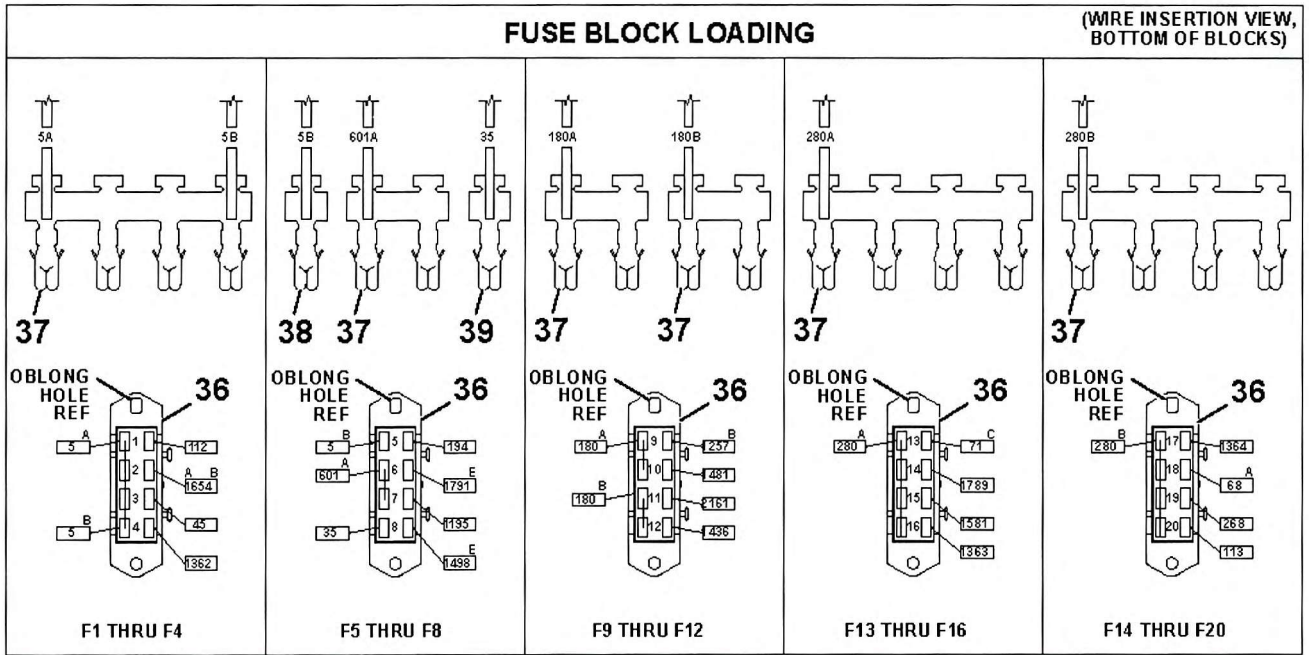


CONTINUED ON SHT 3

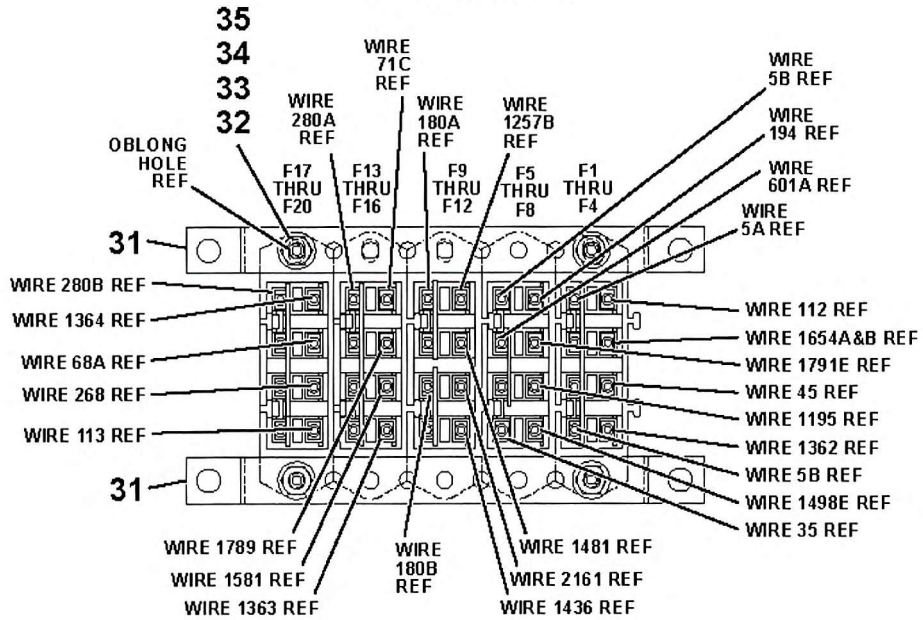


DETAIL A

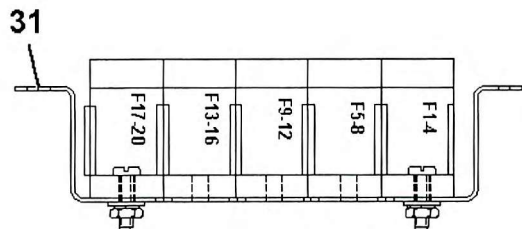
# Manitowoc Cranes



## TOP REAR VIEW



## BOTTOM REAR VIEW



## FUSE BLOCKS

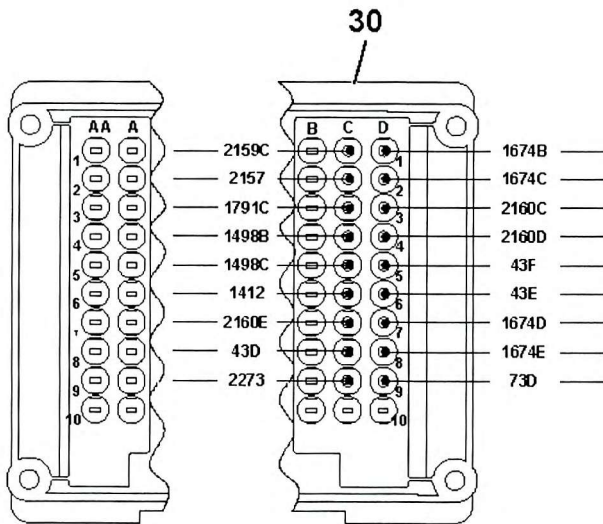
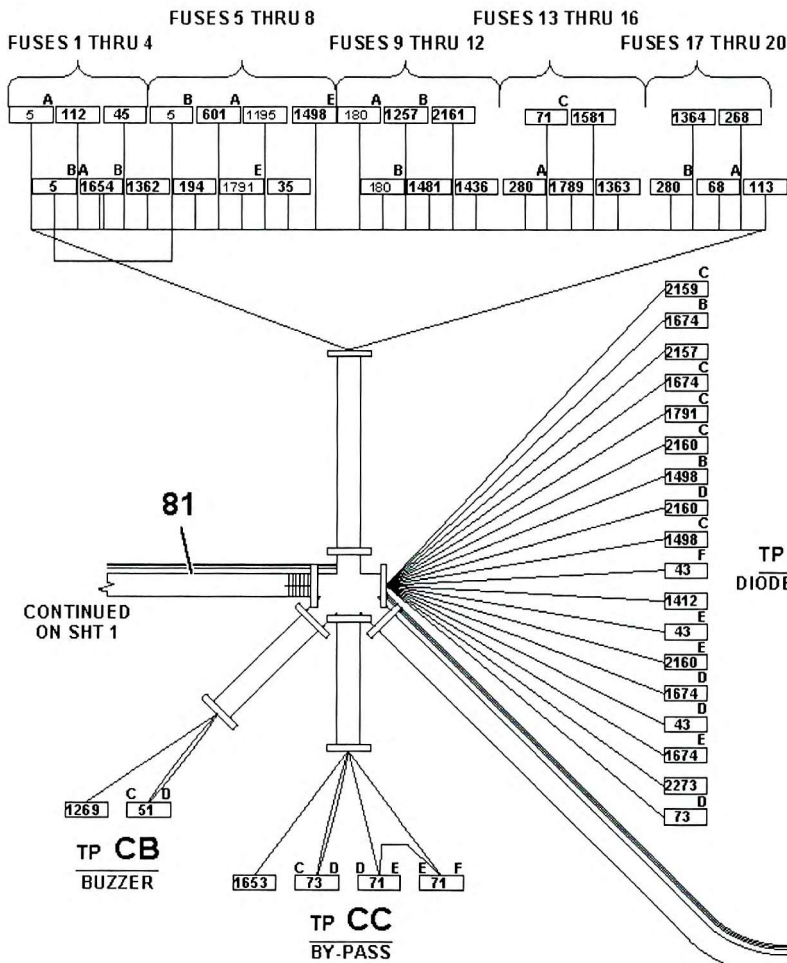
AFTER WIRES ARE LOADED INTO FUSE BLOCKS, LOCK TOGETHER AS SHOWN ABOVE

80024300

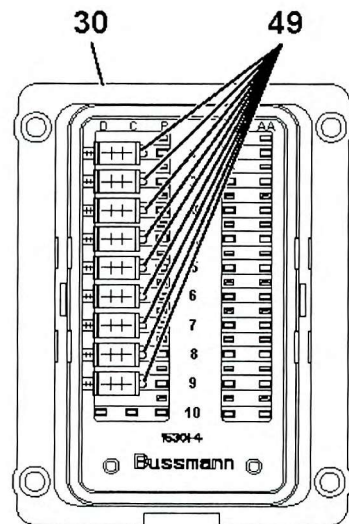
(SHEET 4 OF 12)

# Manitowoc Cranes

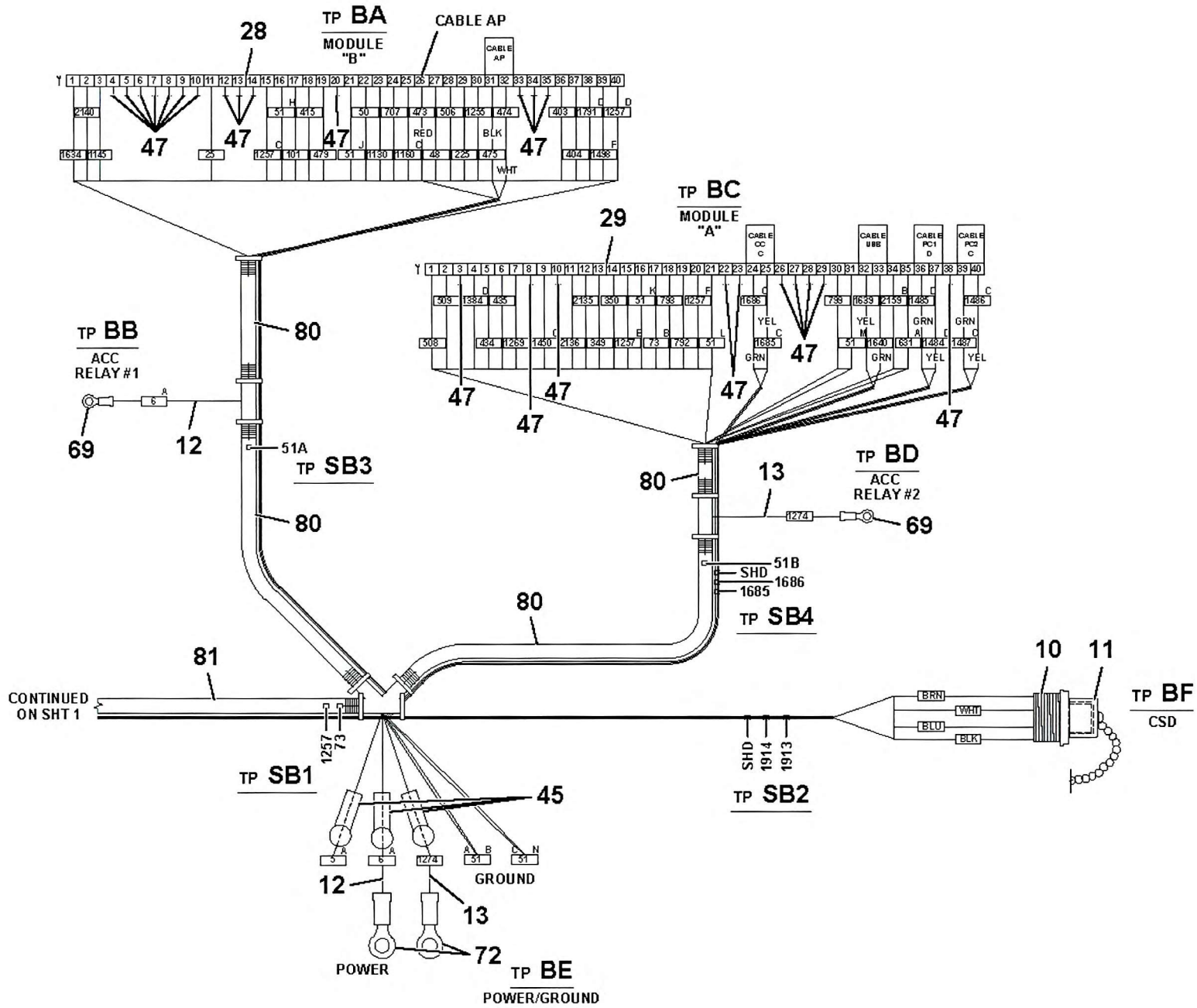
## TP CA FUSES

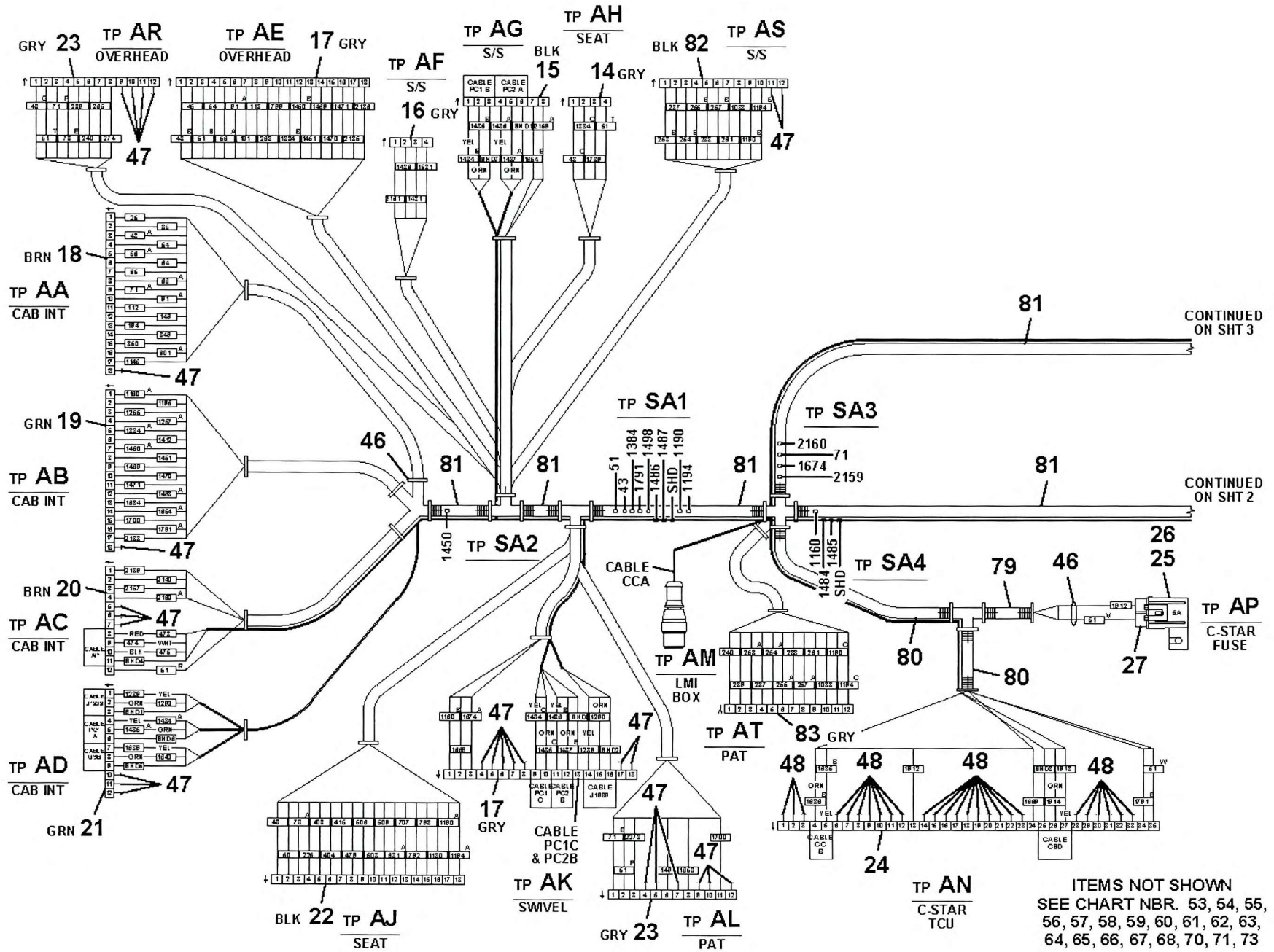


TP-CD  
REAR VIEW  
DIODE D1-D9



TP-CD  
TOP VIEW  
DIODE D1-D9





CONTINUED ON SHT 3

CONTINUED ON SHT 2

ITEMS NOT SHOWN  
 SEE CHART NBR. 53, 54, 55,  
 56, 57, 58, 59, 60, 61, 62, 63,  
 64, 65, 66, 67, 68, 70, 71, 73